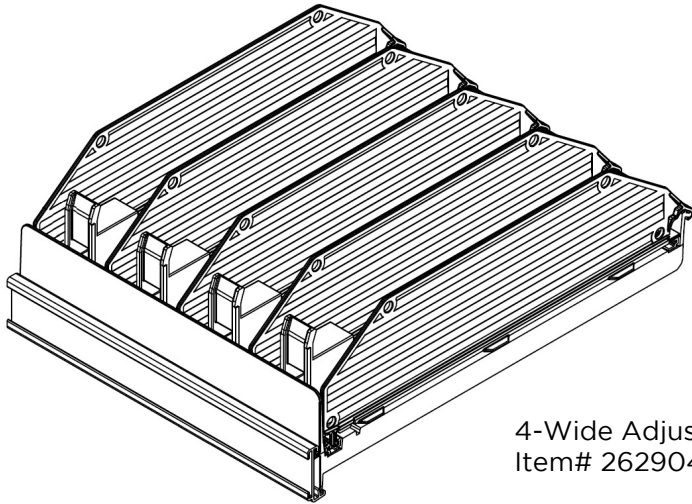
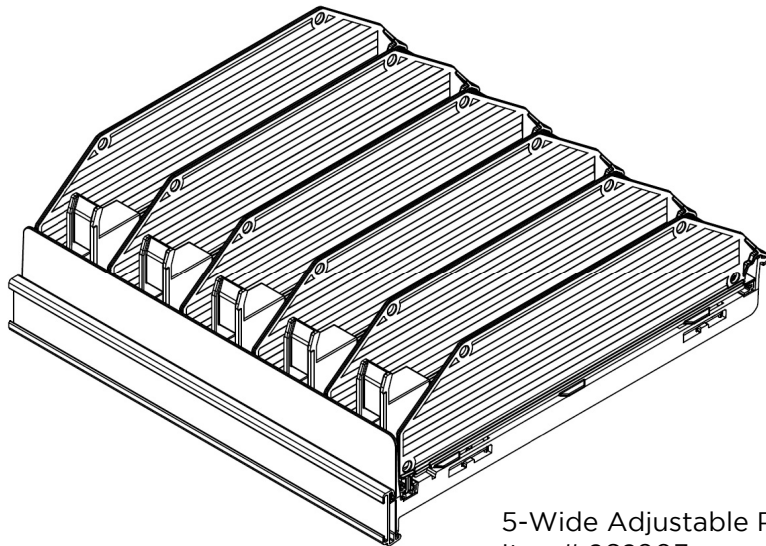


5-Wide & 4-Wide Adjustable Pusher Trays



4-Wide Adjustable Pusher Tray
Item# 262904



5-Wide Adjustable Pusher Tray
Item# 262903

Carefully read the contents of these instructions, as the instructions indicate the correct step by step procedure to assemble the product. In the event of assembly problems or missing parts, please call our customer service department at **616-842-5330**.

CAUTION:

ASSEMBLED UNIT IS VERY HEAVY. DO NOT ATTEMPT TO LIFT OR MOVE WITHOUT ASSISTANCE.

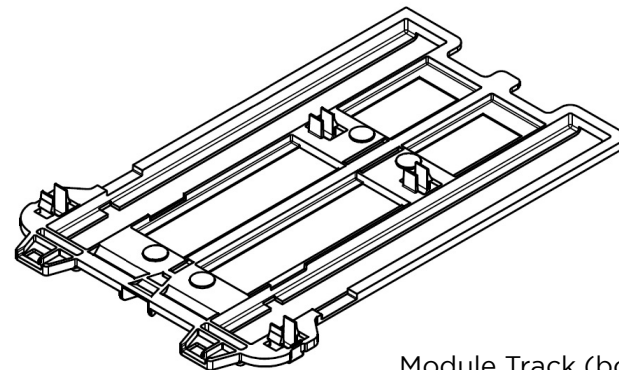
THE MANUFACTURER OF THIS DISPLAY ASSUMES NO LIABILITY FOR INJURY CAUSED BY IMPROPER ASSEMBLY / INSTALLATION OF THIS DISPLAY.



WARNING:

This product contains chemicals known to the State of California to cause cancer and birth defects or other reproduction harm.

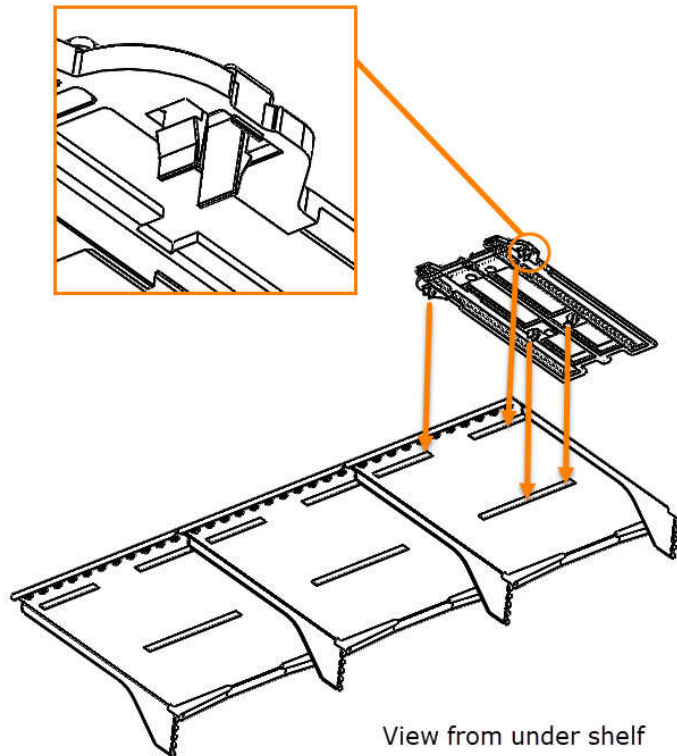
For more information, go to www.P65Warnings.ca.gov



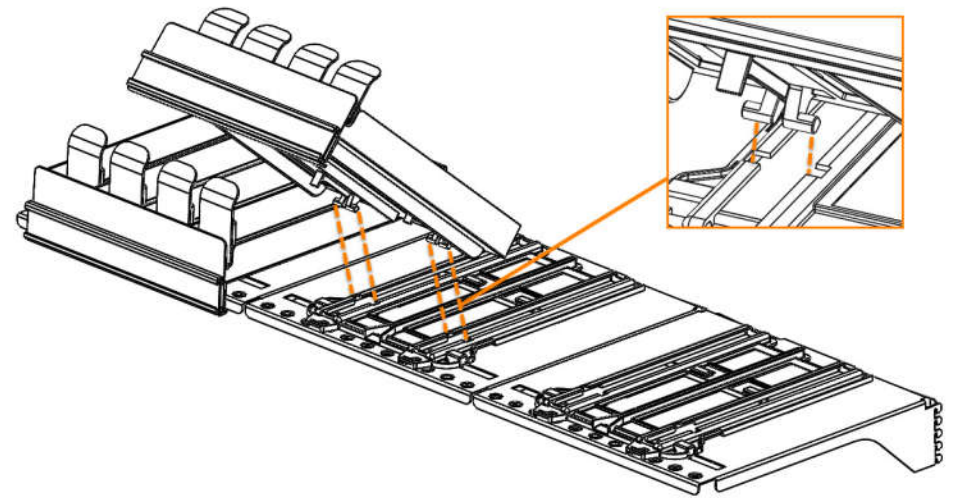
Module Track (bottom side shown)

5-Wide & 4-Wide Adjustable Pusher Trays

1. Install Module Track to shelf. Press clips (4) into shelf slots until "clicked" in place.

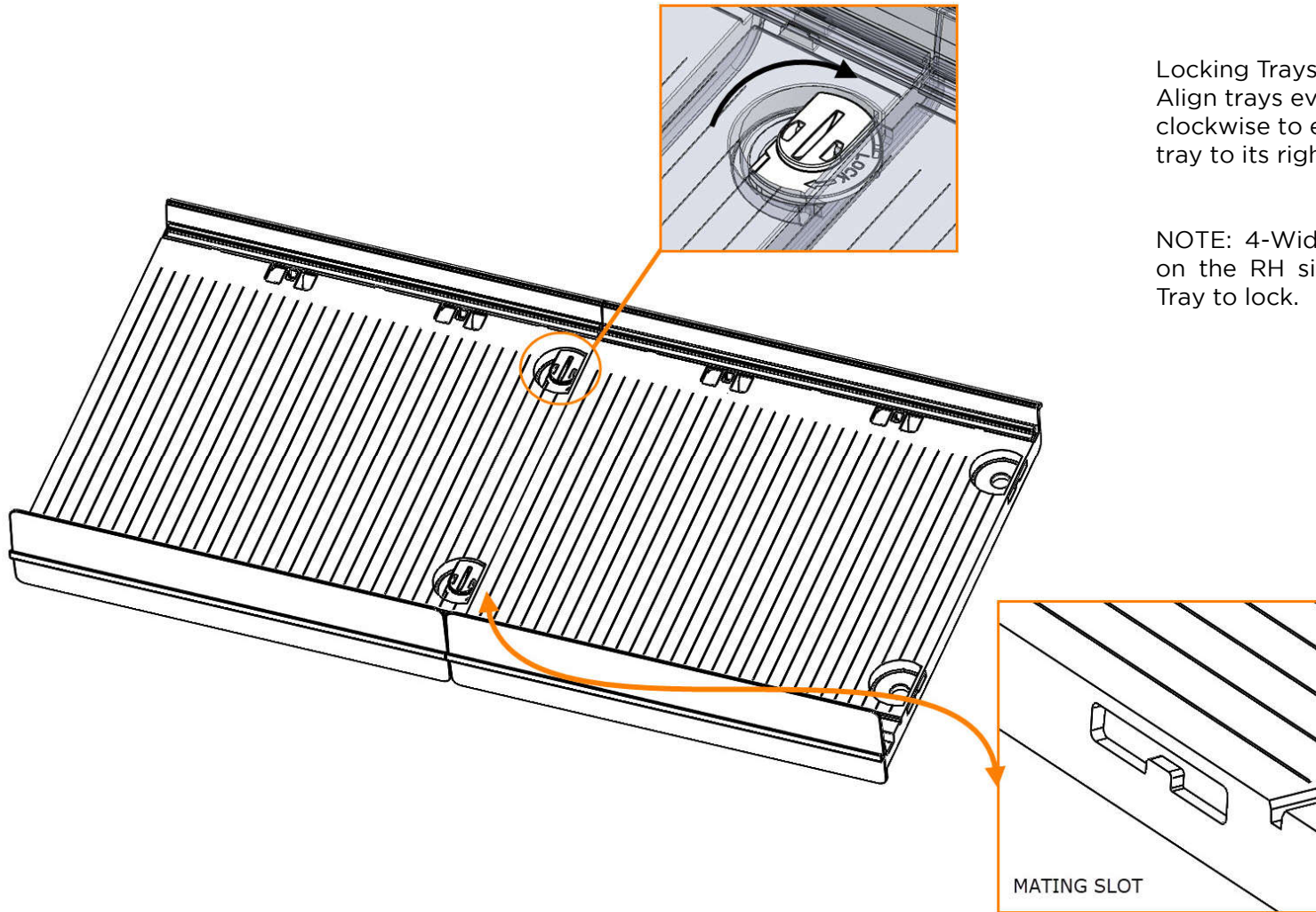


2. Insert tray guides into slots on front of track.



(Cigarette Pushers show for reference)

5-Wide & 4-Wide Adjustable Pusher Trays

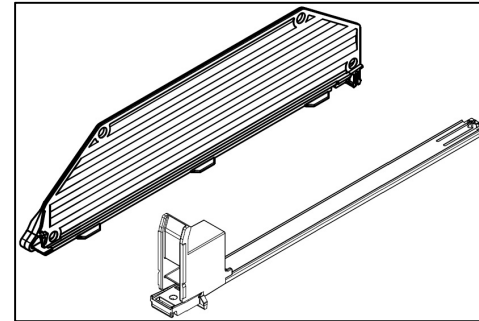
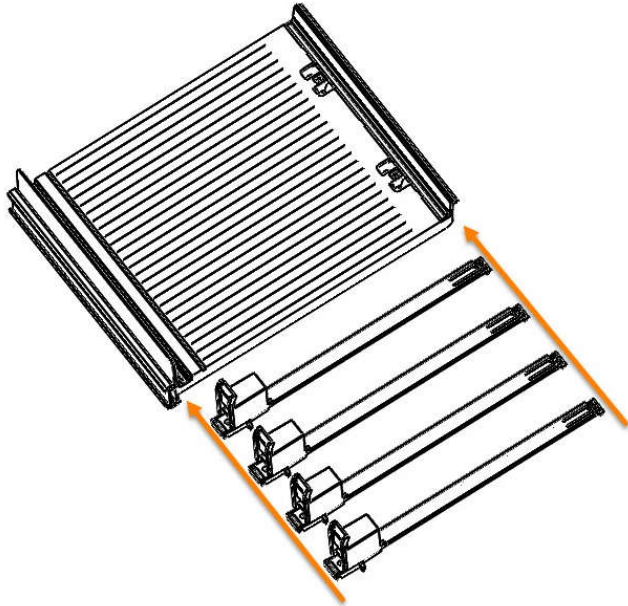


Locking Trays:
Align trays evenly and turn lock
clockwise to engage with mating slot of
tray to its right.

NOTE: 4-Wide Adjustable Tray must be
on the RH side of a 5-Wide Adjustable
Tray to lock.

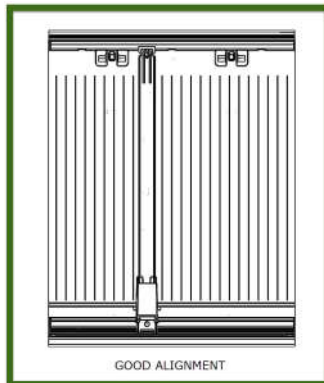
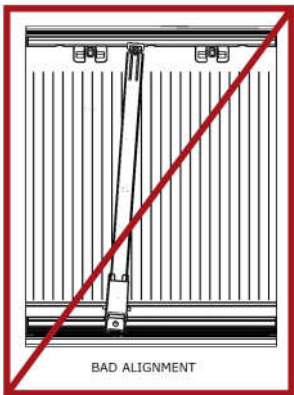
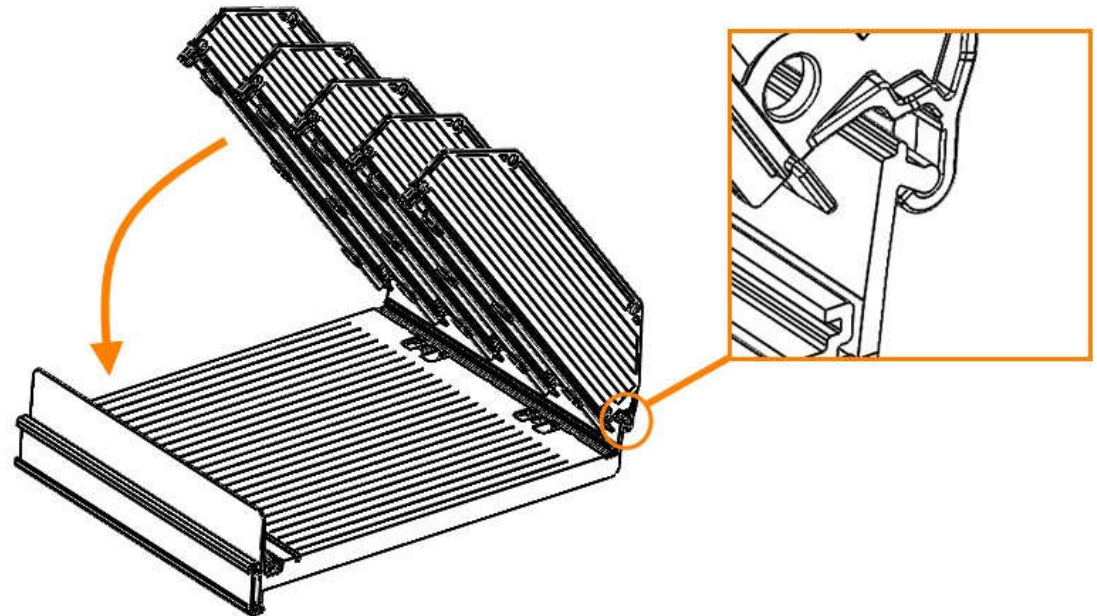
5-Wide & 4-Wide Adjustable Pusher Trays

Pusher Tracks insert into channel at back and front of tray.



Dividers and Pusher Tracks ship bagged.

Dividers hook around rail at back of tray and snap into front channel.



305902IS

10-15-2020

© 2020 Harbor Industries

**IT IS THE RESPONSIBILITY OF THE INSTALLER TO CAREFULLY READ & FOLLOW ALL STEPS IN THE INSTRUCTIONS.

HARBOR

SHEET 4 OF 4